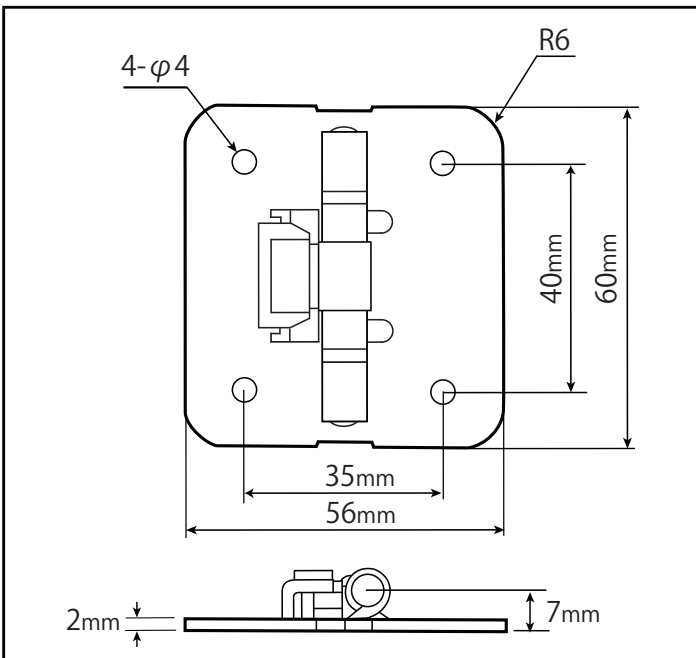


- Hinge has 3 stops (0 degrees, 90 degrees and 180 degrees).
- Suitable for steel bifold doors or industrial equipment doors.



【Material】

- Wing : SPCC steel
Trivalent chromate
- Stop cover : ZDC2
- Stop axis : POM resin
- Hinge axial center : 304 stainless steel

Product code	Product name	Quantity	Price
99083219	SH-HSP60 Steel Stop Hinge	200pcs/box	¥1,120/pc