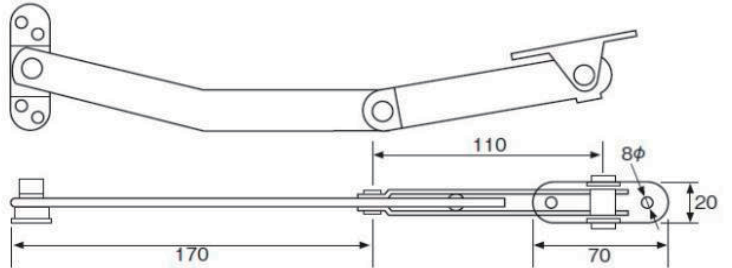




- Wood screws attached.
- For a right- and left-handed door.  
(E-ring of a strike plate can be attached to both sides.)
- Length : 110~170mm
- Recommended door weight : 40kg or less

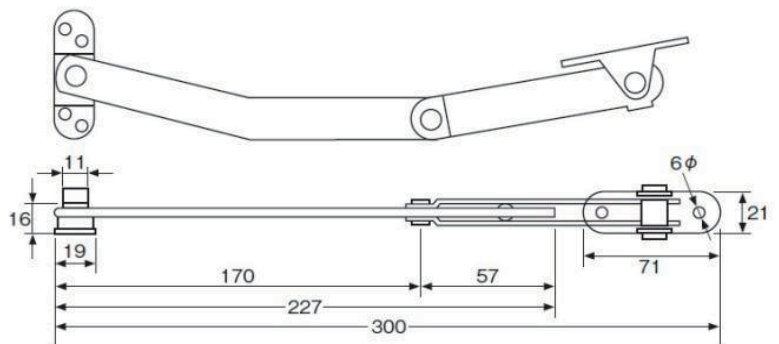


【Material】 304 Stainless Steel  
【Finishing】 Barrel finishing

## Benry Brand Door Stays

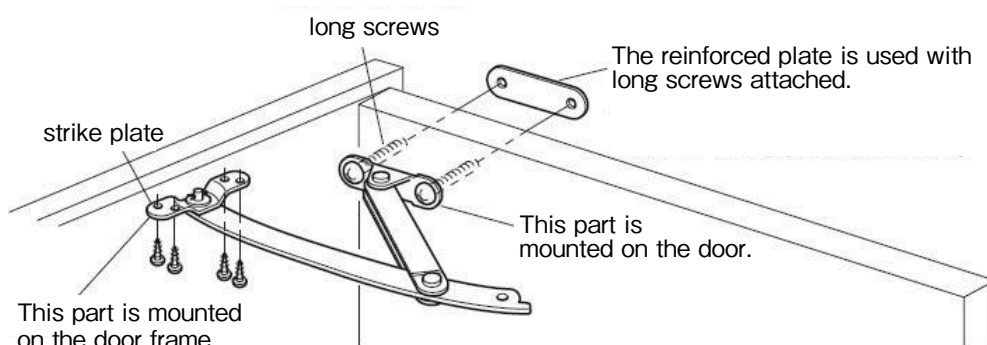


- Attached 4 wood screws and 2 long screws.
- For a right- and a left-handed door.
- Length : 110~170mm
- Recommended door weight : 40kg or less

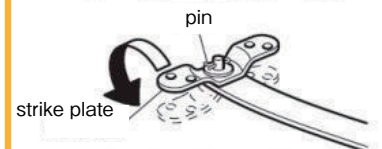


【Material】 Steel  
【Finishing】 Chrome plating

- Example of mounting



### Enlarged view of a mounting part



You can remove the pin of the mounting part and invert the strike plate, and it can be used for right- and left-handed door.

Product code	Product name	Quantity		Price(JPY)
		box	cs	
46308501	New Hikari Brand Stainless Steel Door Stay	5	100	2,000
19108502	Benry Brand Door Stay (Steel, Chrome)			1,100