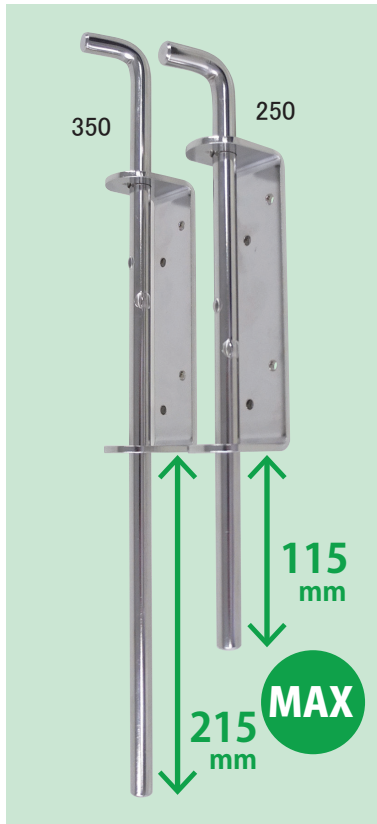
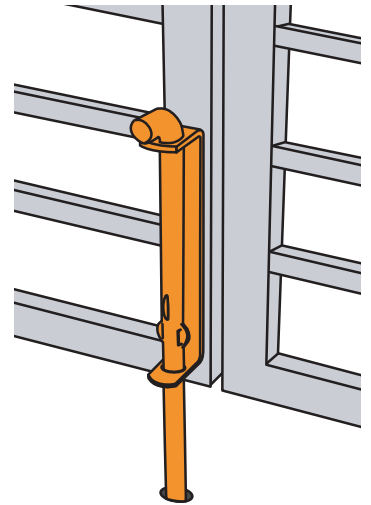
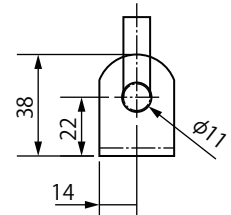
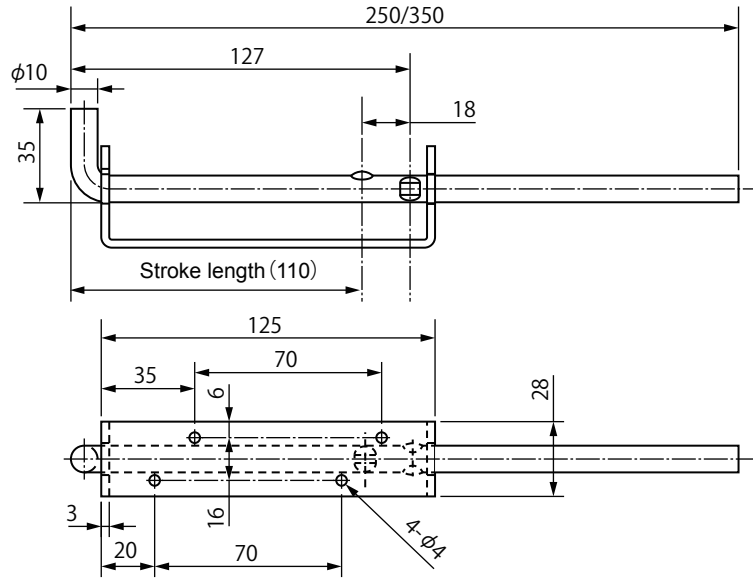


Stainless Steel Gate Cane Bolts / Drop Bolts



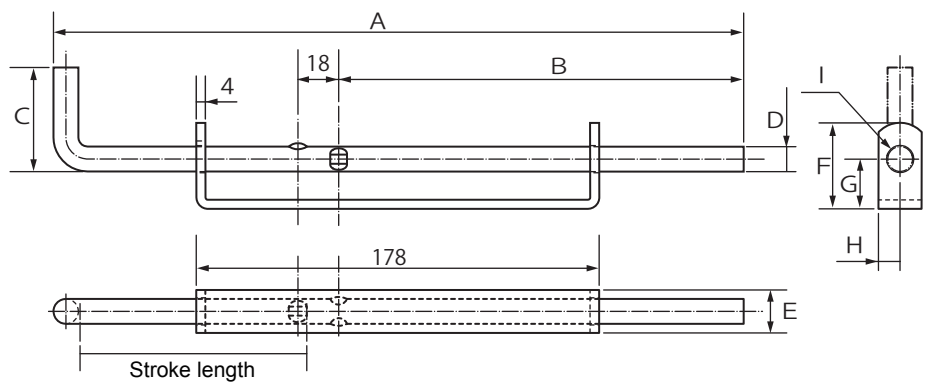
- ◎Downsized but enough 115mm long.
- ◎Mounting screws are available with mounting holes.
(Screws are options.)
- ◎Made from durable 304 stainless steel.

【Material】304 Stainless steel
【Finishing】Polishing



Product code	Product name	Size	Per box	Price (JPY)
99081583	SH-OGS250 Stainless Steel Gate Cane Bolt	φ10×250	2 pcs	¥2,700
99081584	SH-OGS350 Stainless Steel Gate Cane Bolt	φ10×350	2 pcs	¥2,950

Unichromate Plating Gate Cane Bolts / Drop Bolts for Iron Doors



Size	Dimension (mm)									
	A	B	C	D	E	F	G	H	I	stroke length
300	305	179	46	φ11	19	38	22	9.5	φ12	100
360	355	185	48	φ13	22	42	25	11	φ14	140
450	455	275	48	φ13	22	42	25	11	φ14	140

Product code	Product name	Per box	Price (JPY)
99049572	SH-OG300 Unichromate Plating Gate Cane Bolt 11×300	6 pcs	¥980
99049573	SH-OG360 Unichromate Plating Gate Cane Bolt 13×360		¥1,500
99049574	SH-OG450 Unichromate Plating Gate Cane Bolt 13×450		¥1,750

【Material】Steel
【Finishing】Unichromate plating