



Stainless Steel Box Lock Draw Latch Hasps Spring Loaded

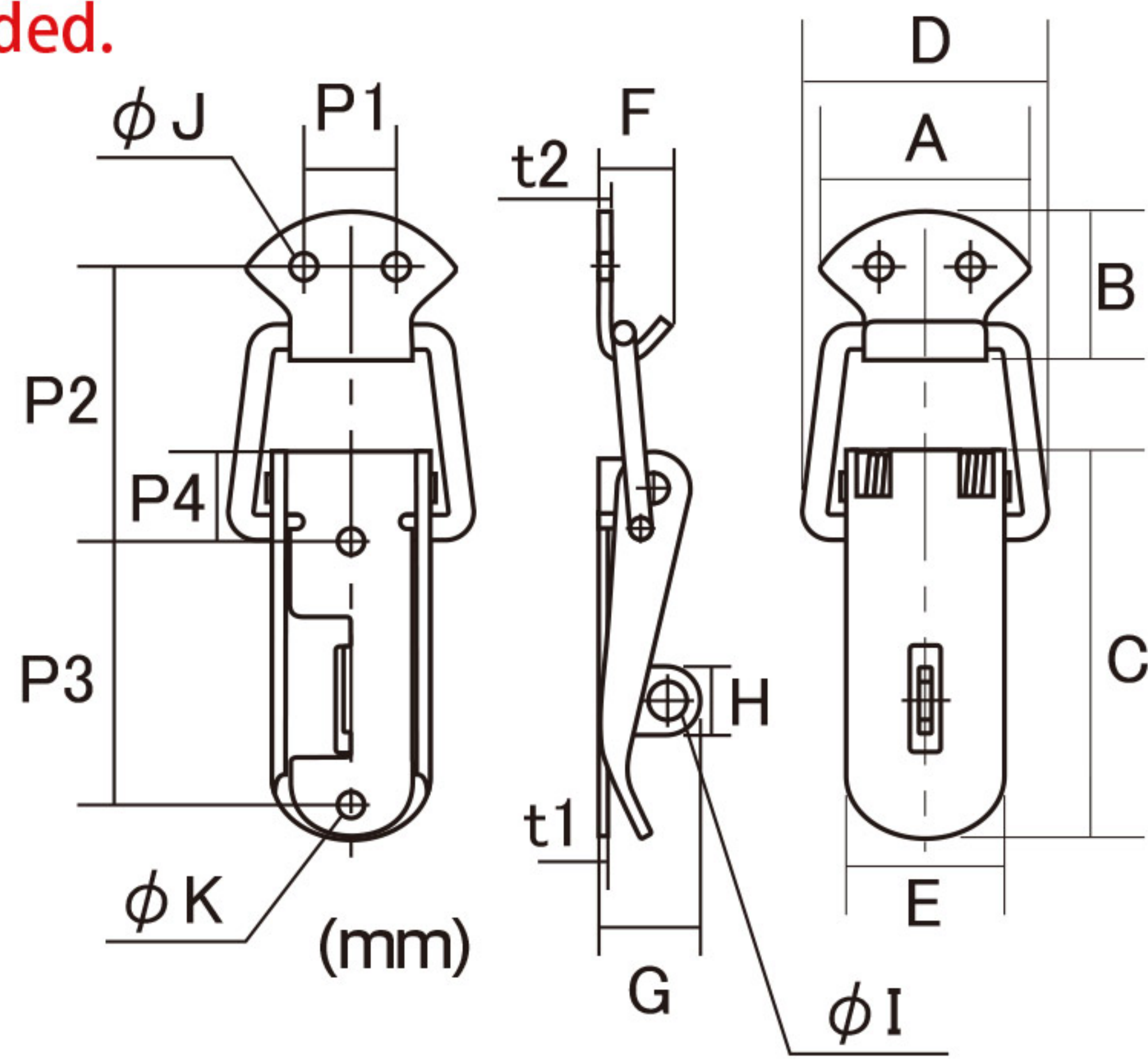
MADE IN JAPAN

【material】 SUS304 Stainless Steel (polished)

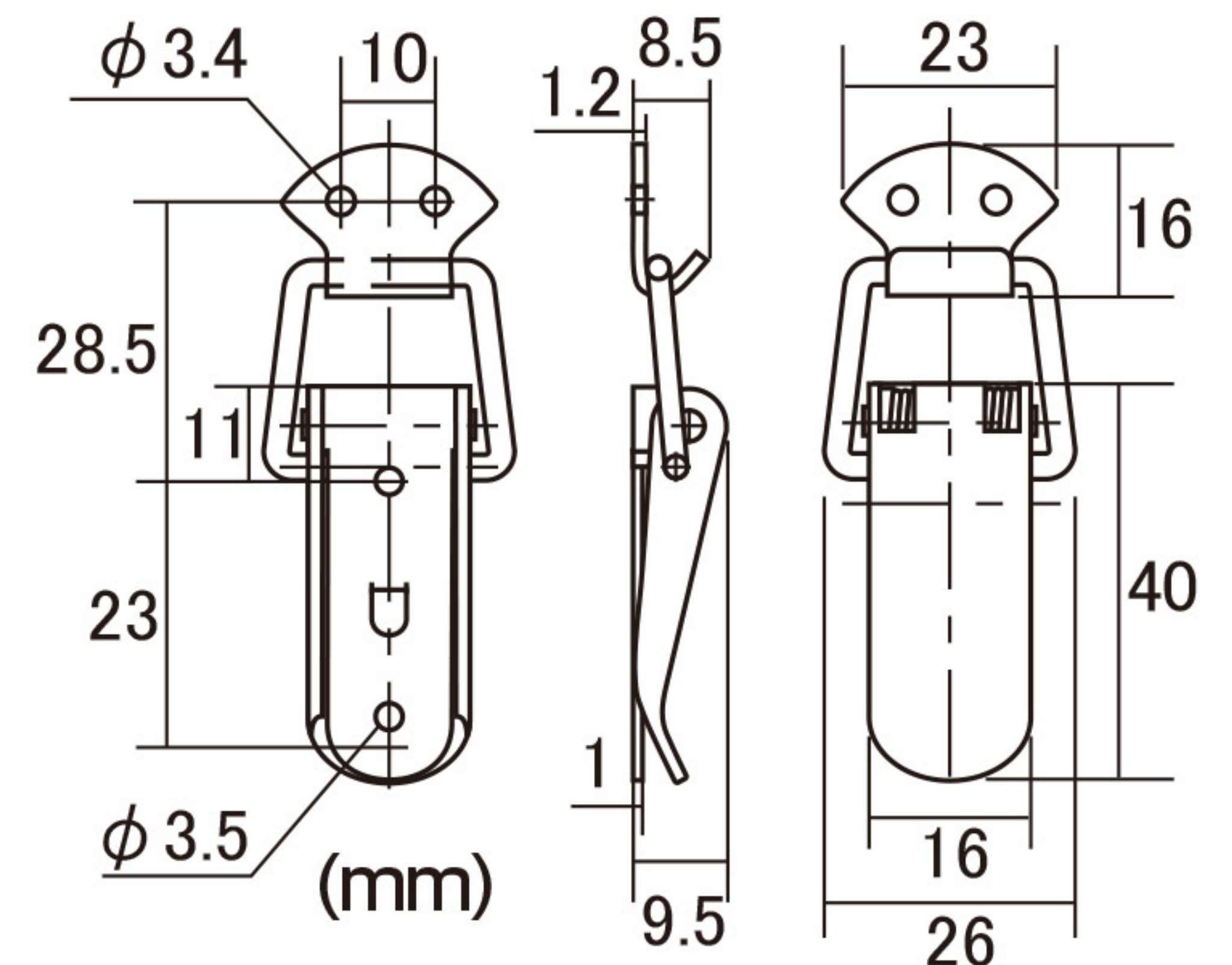
No.1010K (with key holes)



*Padlocks not included.



No.1010N-40



This line has 40mm and 50mm latch hasps with key holes. And 50mm have ordinary hooks and long ones.

Draw latch without key holes has 40 size only.

*Padlocks not included.



No.1010K-50

NEW

No.1010K-50L

Dimension of No.1010K

product No.	size (mm)																
	A	B	C	D	E	F	G	H	I	J	K	P1	P2	P3	P4	t1	t2
40mm	23	16	40	26	16	8.5	13.3	8	4.5	3.4	3.5	10	28.5	23	11	1	1.2
50mm	28	18.5	51	34	20.5	10	15	9	4.6	4.1	4.1	12	33	31	14.5	1.5	1.5
50mm long hook				33									72				



Dimensional drawing are labeled on the box surfaces.

Padlocks available from SOL padlocks



No.2500 brass padlock 15/20/25mm



No.2500 with stainless steel shackle 25mm



No.1200 brass padlocks 20/25mm

Keyless combination padlock



No.300 brass combination padlocks 20mm



No.310 BIG brand brass combination padlocks 20mm

Plastic bag with header



55mm



●Draw latch made of steel in same size also available.

product code	product No.	material	size	keyholes	package	quantity	price (JPY)
09379830	No.1010N-40	SUS304	40mm	without	bulk pack	50	480
09379831	No.1010K-40	SUS304	40mm	with		40	520
09385456	No.1010K-50	SUS304	50mm	with		40	840
09385457	No.1010K-50L	SUS304	50mm (long hook)	with		30	900
09383082	No.1010N-40(P)	SUS304	40mm	without	plastic bag with header	36	560
09383083	No.1010K-40(P)	SUS304	40mm	with		30	600
47196147	P-22	nickel-iron	40mm	without	no packaging	250	180
47196142	P-21	nickel-iron	40mm	with		250	200

