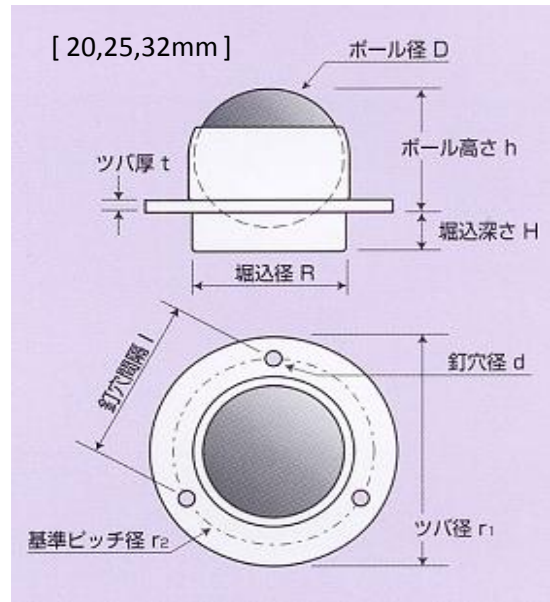
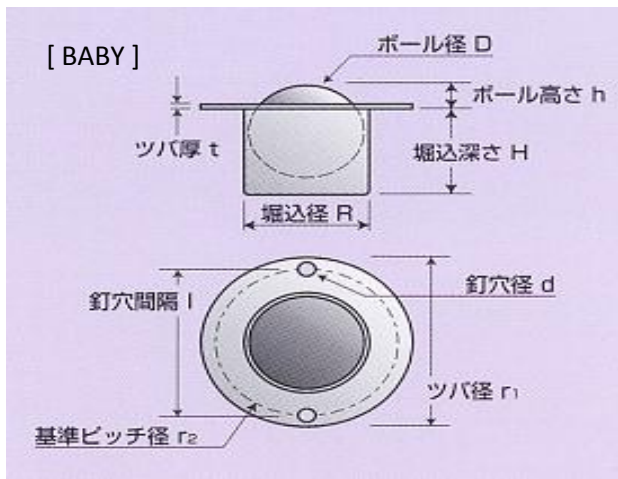
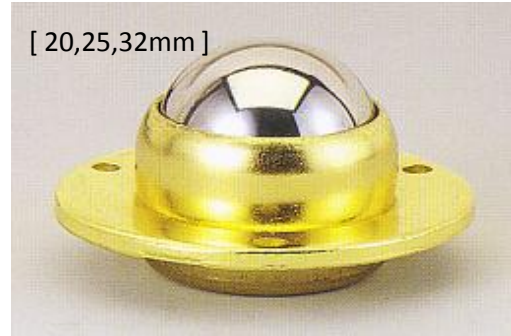


" BALL CASTER "

These are made in Japan, and the products with the result from of old.
The quality is stable and they can be offered by a good price.

No.140



product number	size	material (body)	material (ball)	load cap.	the number in small box	the number in carton
140	baby	steel plating unichrome	steel	8.0kg	100 pcs	2000 pcs
	20	brass		10.0kg	8 pcs	400 pcs
	25			15.0kg	4 pcs	200 pcs
	32			20.0kg	4 pcs	200 pcs

Size (detail)

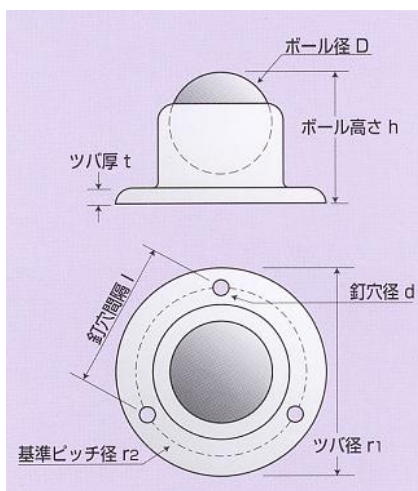
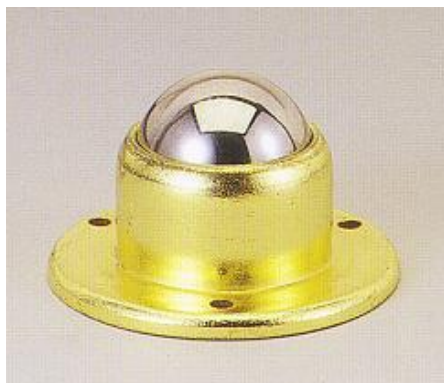
product number	size	D (φ)	H (mm)	h (mm)	t (mm)	R (φ)	r1 (φ)	r2 (φ)	d (mm)	l (mm)
140	baby	11.9	11.2	3.0	0.6	13.0	22.0	19.0	1.8	19.0
	20	17.5	5.0	16.0	1.6	18.3	30.0	24.0	2.0	20.8
	25	22.2	6.0	19.5	2.3	24.7	41.0	36.0	2.6	31.2
	32	25.4	6.0	24.5	2.3	29.3	48.0	41.0	2.6	35.5



SHIMIZU CO., LTD

No.140P

- The bottom is flat and the installation is easy.



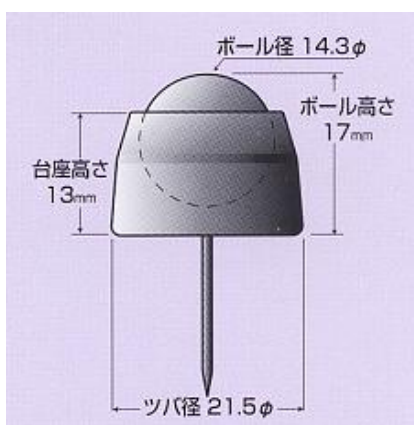
product number	size	material (body)	material (ball)	load cap.	the number in small box	the number in carton
140P	20	brass	steel	15.0kg	8 pcs	400 pcs
	25			25.0kg	4 pcs	200 pcs
	32			40.0kg	4 pcs	200 pcs

Size (detail)

product number	size	D (φ)	h (mm)	t (mm)	r1 (φ)	r2 (φ)	d (mm)	l (mm)
140P	20	17.5	23.0	3.0	37.0	29.5	2.7	25.5
	25	22.2	27.0	3.2	44.0	36.0	2.8	31.2
	32	25.4	32.5	3.2	57.0	47.0	4.7	40.7

No.140N (Ball Caster with nail)

- You can install with hammer easily.
- Suitable for turn table for light weight.

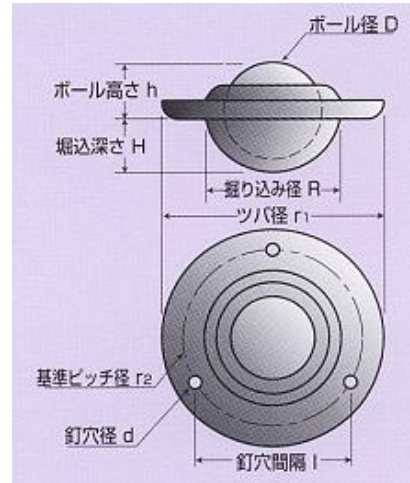


product number	size	material (body)	material (ball)	load cap.	the number in small box	the number in carton
140N	--	steel plating nickel	steel	8.0kg	100 pcs	900 pcs



SHIMIZU CO., LTD

No.140U

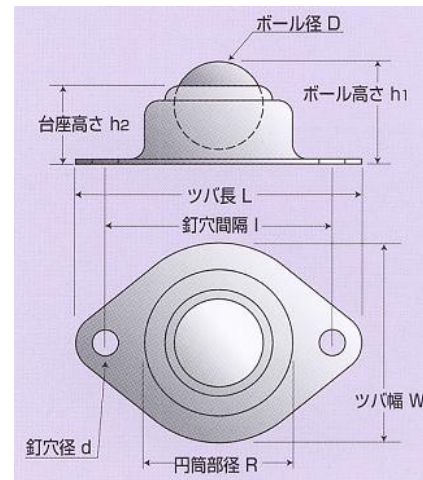


product number	size	material (body)	material (ball)	load cap.	the number in small box	the number in carton
140U	18	steel plating unichrome	steel	20.0kg	4 pcs	240 pcs
	25			30.0kg	4 pcs	80 pcs
	32			50.0kg	4 pcs	60 pcs

Size (detail)

product number	size	H (mm)	R (φ)	D (mm)	h (mm)	r1 (φ)	r2 (φ)	d (mm)	l (mm)
140U	18	10.0	25.0	17.5	10.5	40.5	32.8	2.4	28.0
	25	14.6	36.0	25.4	15.0	62.5	48.6	5.3	42.0
	32	17.0	43.0	31.8	19.0	72.5	57.6	6.2	50.0

No.140F



product number	size	material (body)	material (ball)	load cap.	the number in small box	the number in carton
140F	18	steel plating unichrome	steel	20kg	4 pcs	260 pcs
	25			30kg	4 pcs	120 pcs
	32			50kg	4 pcs	80 pcs

Size (detail)

product number	size	D (φ)	h1 (mm)	h2 (mm)	W (mm)	L (mm)	R (φ)	d (mm)	l (mm)
140F	18	17.5	21.0	16.0	41.0	58.0	30.0	5.3	46.0
	25	25.4	31.0	22.0	50.0	69.0	43.0	5.5	56.0
	32	31.8	37.0	26.0	57.0	82.0	48.0	6.5	66.0



SHIMIZU CO., LTD